

www.hsflamingo.com



Flamingo[®]

Flamingo Wood Stoves

Stoves with perfect combustion



Thanks to their high quality and very reasonable price, Flamingo wood stoves have become a very popular brand in Europe. Flamingo wood stoves are equipped with an external air intake connection as standard. To achieve the most effective combustion possible, the supplied external air is further channelled into primary air (under the grate), secondary air for washing the glass door and tertiary air for supporting the combustion of gaseous components.

The combustion chamber is designed to deliver high efficiency and low fuel consumption, which is about 2.5 kg per hour on average. The interior of the combustion chamber is lined with Czech-made firebrick and a cast-iron grate at the base. This makes the combustion chamber almost immortal. These wood stoves are made using 3mm and 5mm thick steel plate; the 5mm steel plate provides robustness to the combustion chamber. This is why we are able to provide a 5-year warranty on our wood stoves.

This ensures high efficiency and outstanding combustion with clean glass.

These stoves comply with the strictest European standards (EN 13240, BImSchV - Stufe 2, 15a B-VG, DINplus)

Technical cross section Flamingo ®



1 High performance / low cost

2 Top flue outlet

3 150 mm flue outlet diameter

4 Double-walled convection stoves

5 30 mm firebrick lining

choose your colour...

olive



brown - velvet



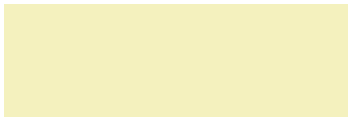
grey



red



cream



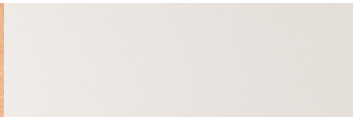
yellow tiles



beige tiles



white tiles



walnut tiles



whitened oak tiles



maple tiles



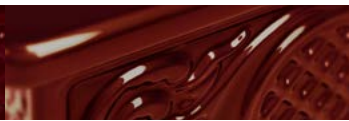
white glazed tile



bordo glazed tile



brown glazed tile



cream glazed tile



blue glazed tile



green glazed tile



Firebrick lining

Firebrick is essential for high efficiency and low fuel consumption. It ensures high temperatures in the firebox.



Convection wood stoves

Flamingo wood stoves work on the air convection principle, meaning that they provide a continuous flow of heated air that is evenly distributed throughout the stoves.



wood stove

bali



technical parameters

Nominal power kW	9
Power range kW	3 - 12
Stove efficiency %	80.72
Fuel consumption kg/hour	2.5
Operating draught Pa	12
Smoke flue diameter mm	150
Log length cm	35
Weight kg	152
CO emissions (at 13% O ₂) %	0.08
Average flue gas temperature °C	293
Heating value m ³	60 - 240
Warranty	5 years

- + Number one in the market in terms of price-to-quality
- + Primary, secondary and tertiary air supply
- + Secondary – perfect combustion
- + Glass wash – glass is always clean
- + Firebrick lined firebox
- + Ashtray

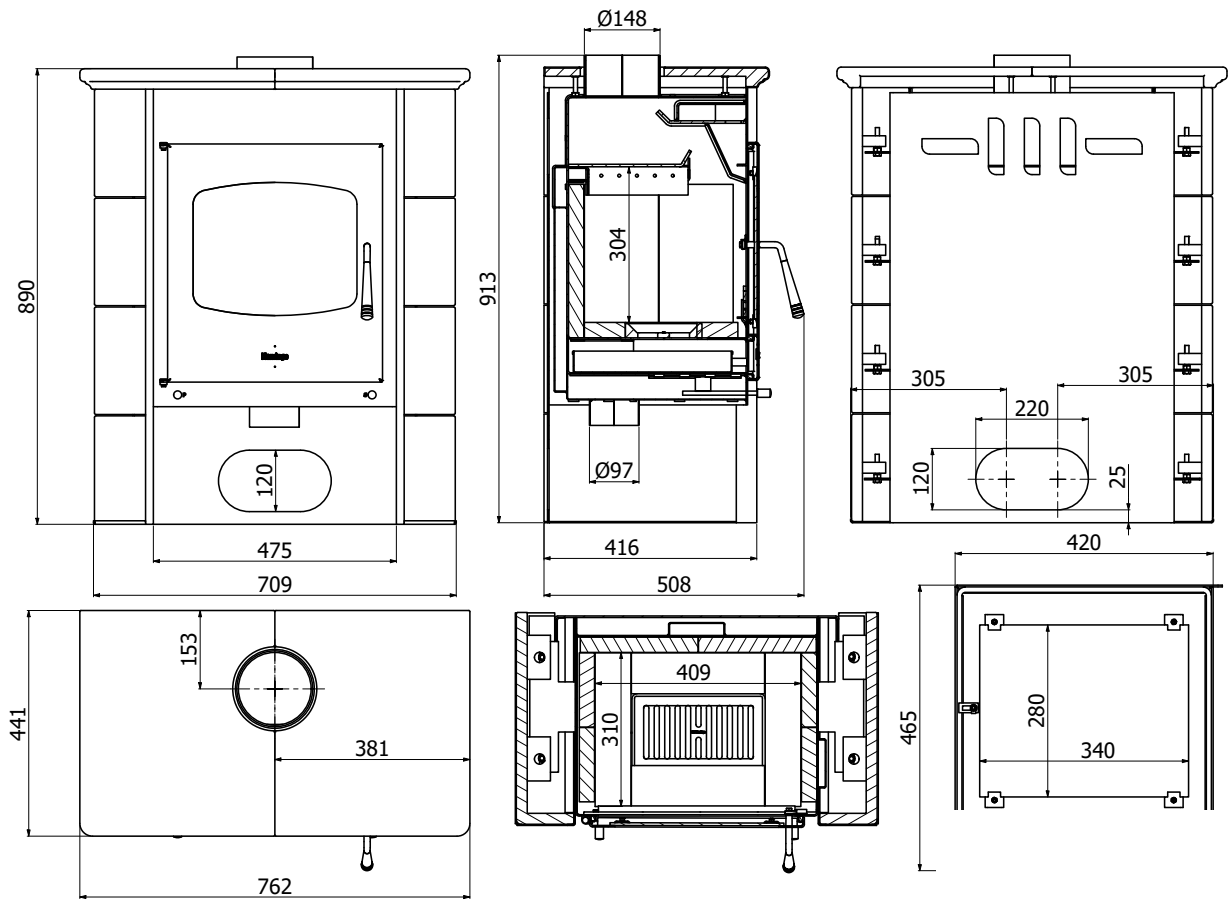
white
bordo
brown
blue
green



cream

produced by HS Flamingo s.r.o.

www.hsflamingo.com







wood stove

amos



technical parameters

Nominal power kW	9
Power range kW	3 - 12
Stove efficiency %	80.72
Fuel consumption kg/hour	2.5
Operating draught Pa	12
Smoke flue diameter mm	150
Log length cm	35
Weight kg	145
CO emissions (at 13% O ₂) %	0.08
Average flue gas temperature °C	293
Heating value m ³	60 - 240
Warranty	5 years

- + Number one in the market in terms of price-to-quality
- + Primary, secondary and tertiary air supply
- + Secondary – perfect combustion
- + Glass wash – glass is always clean
- + Firebrick lined firebox
- + Ashtray

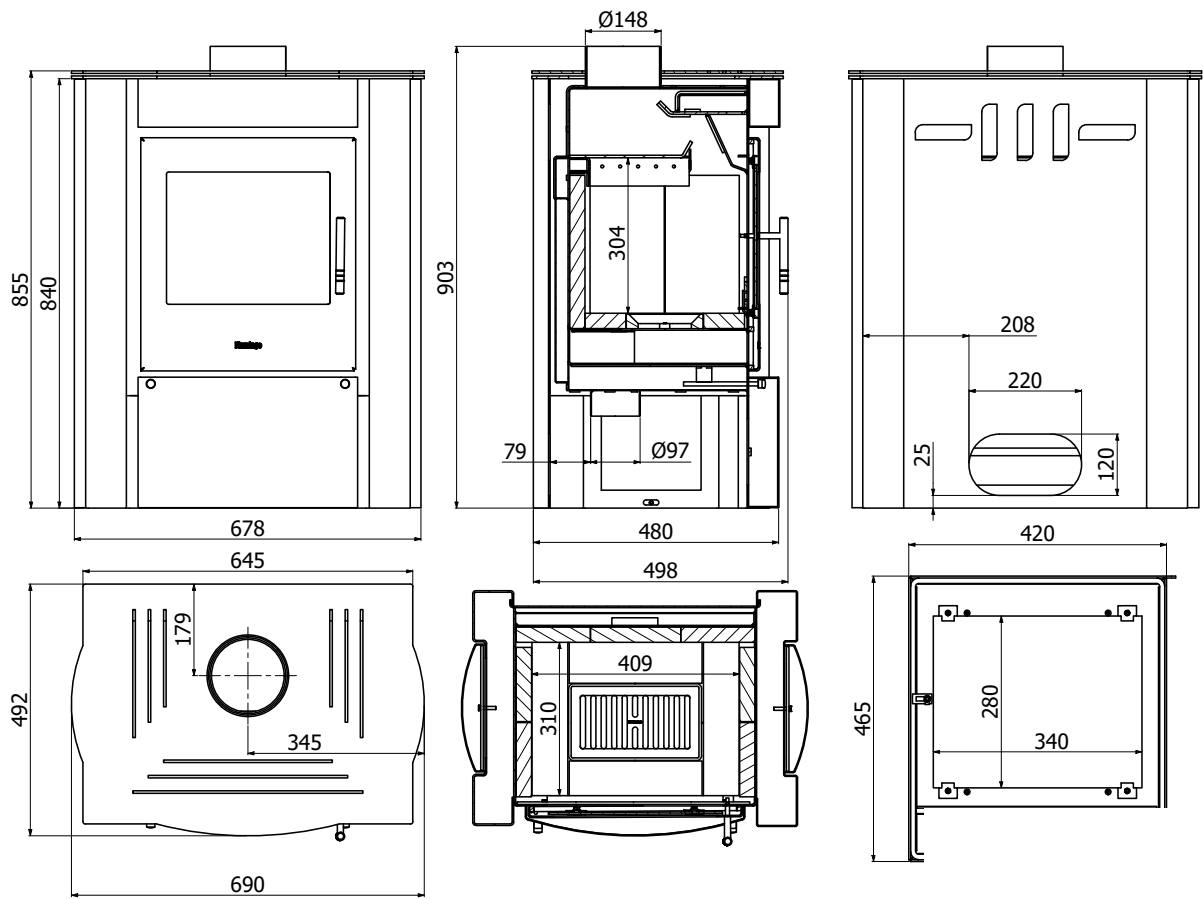
red
cream
olive
grey



brown - velvet

produced by HS Flamingo s.r.o.

www.hsflamingo.com







wood stove

evenes



technical parameters

Nominal power kW	9
Power range kW	3 - 12
Stove efficiency %	80.72
Fuel consumption kg/hour	2.5
Operating draught Pa	12
Smoke flue diameter mm	150
Log length cm	35
Weight kg	138
CO emissions (at 13% O ₂) %	0.08
Average flue gas temperature °C	293
Heating value m ³	60 - 240
Warranty	5 years

- + Number one in the market in terms of price-to-quality
- + Primary, secondary and tertiary air supply
- + Secondary – perfect combustion
- + Glass wash – glass is always clean
- + Firebrick lined firebox
- + Ashtray

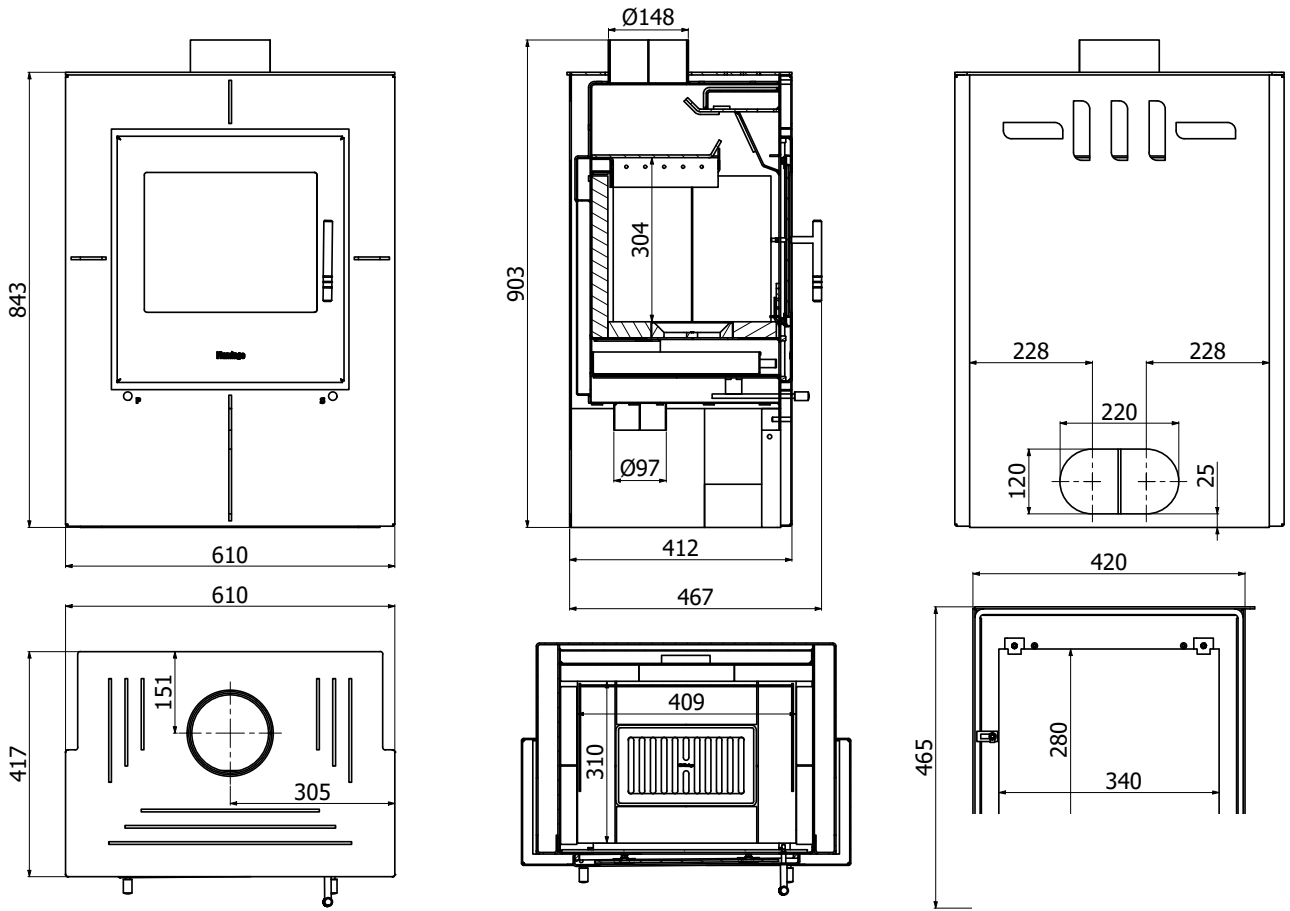
brown - velvet
cream
olive
grey



red

produced by HS Flamingo s.r.o.

www.hsflamingo.com







wood stove

espo I



technical parameters

Nominal power kW	9
Power range kW	3 - 12
Stove efficiency %	80.72
Fuel consumption kg/hour	2.5
Operating draught Pa	12
Smoke flue diameter mm	150
Log length cm	35
Weight kg	121.5
CO emissions (at 13% O ₂) %	0.08
Average flue gas temperature °C	293
Heating value m ³	60 - 240
Warranty	5 years

- + Number one in the market in terms of price-to-quality
- + Primary, secondary and tertiary air supply
- + Secondary – perfect combustion
- + Glass wash – glass is always clean
- + Firebrick lined firebox
- + Ashtray

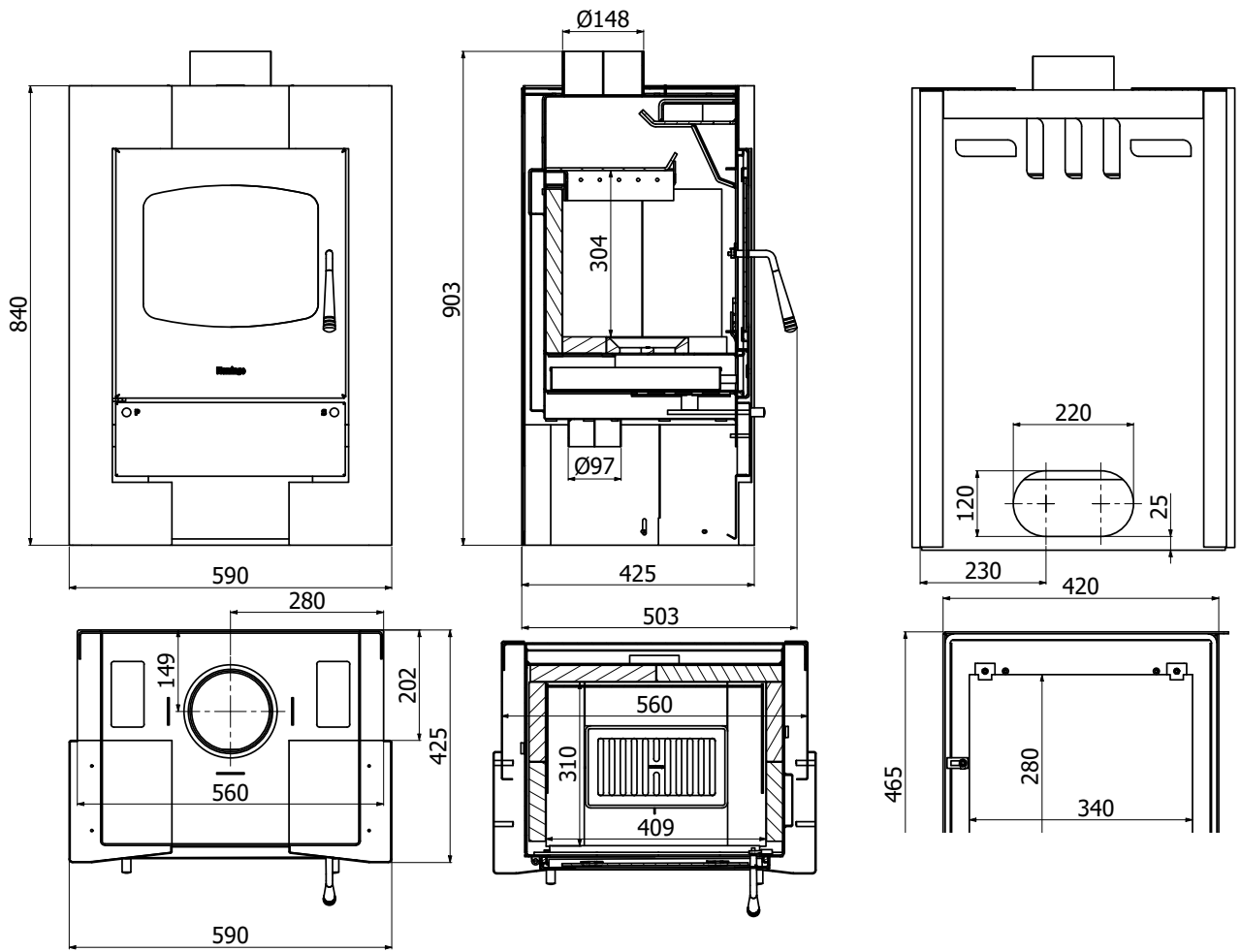
red
brown - velvet
olive
grey



cream

produced by HS Flamingo s.r.o.

www.hsflamingo.com







wood stove

espo II



technical parameters

Nominal power kW	9
Power range kW	3 - 12
Stove efficiency %	80.72
Fuel consumption kg/hour	2.5
Operating draught Pa	12
Smoke flue diameter mm	150
Log lenght cm	35
Weight kg	121.5
CO emissions (at 13% O ₂) %	0.08
Average flue gas temperature °C	293
Heating value m ³	60 - 240
Warranty	5 years

- + Number one in the market in terms of price-to-quality
- + Primary, secondary and tertiary air supply
- + Secondary – perfect combustion
- + Glass wash – glass is always clean
- + Firebrick lined firebox
- + Ashtray

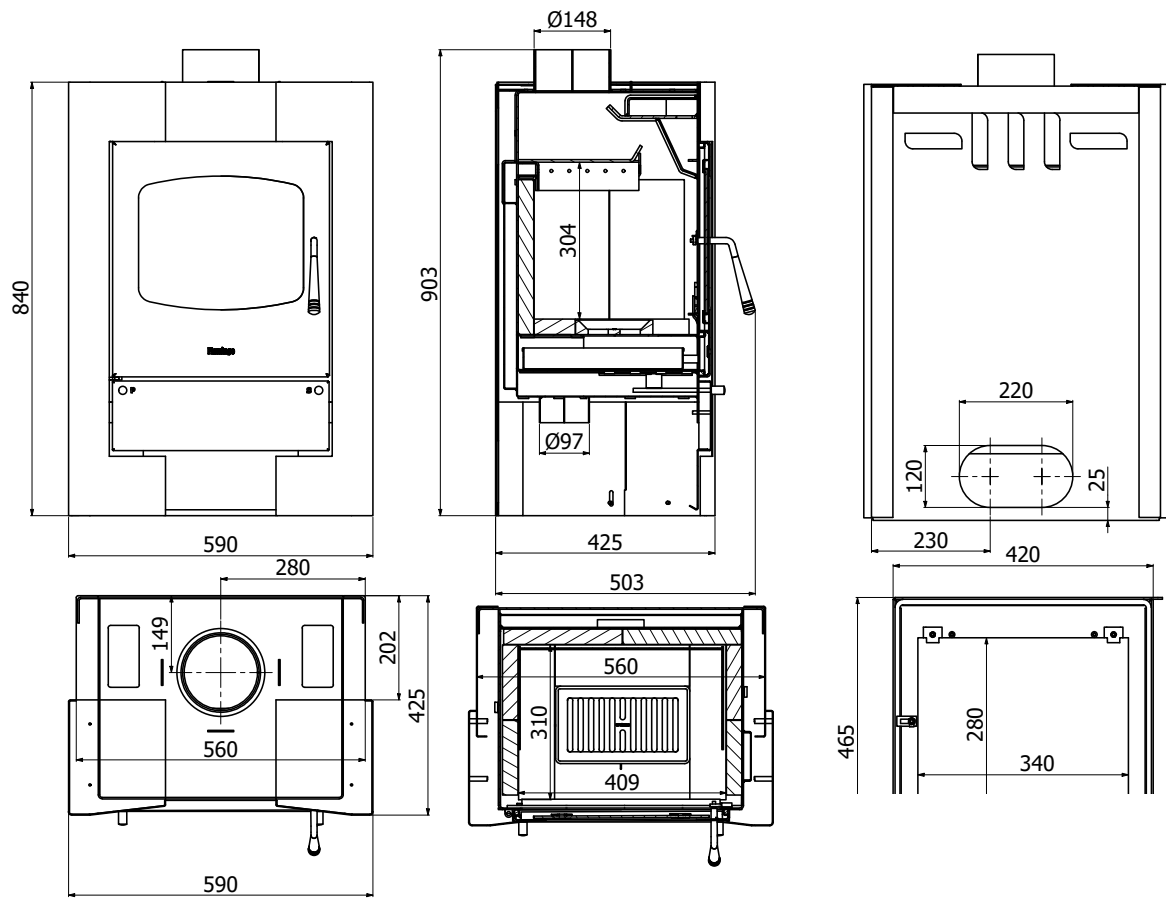
red
brown - velvet
cream
grey



olive

produced by HS Flamingo s.r.o.

www.hsflamingo.com







wood stove

espo III



technical parameters

Nominal power kW	9
Power range kW	3 - 12
Stove efficiency %	80.72
Fuel consumption kg/hour	2.5
Operating draught Pa	12
Smoke flue diameter mm	150
Log length cm	35
Weight kg	108
CO emissions (at 13% O ₂) %	0.08
Average flue gas temperature °C	293
Heating value m ³	60 - 240
Warranty	5 years

- + Number one in the market in terms of price-to-quality
- + Primary, secondary and tertiary air supply
- + Secondary – perfect combustion
- + Glass wash – glass is always clean
- + Firebrick lined firebox
- + Ashtray

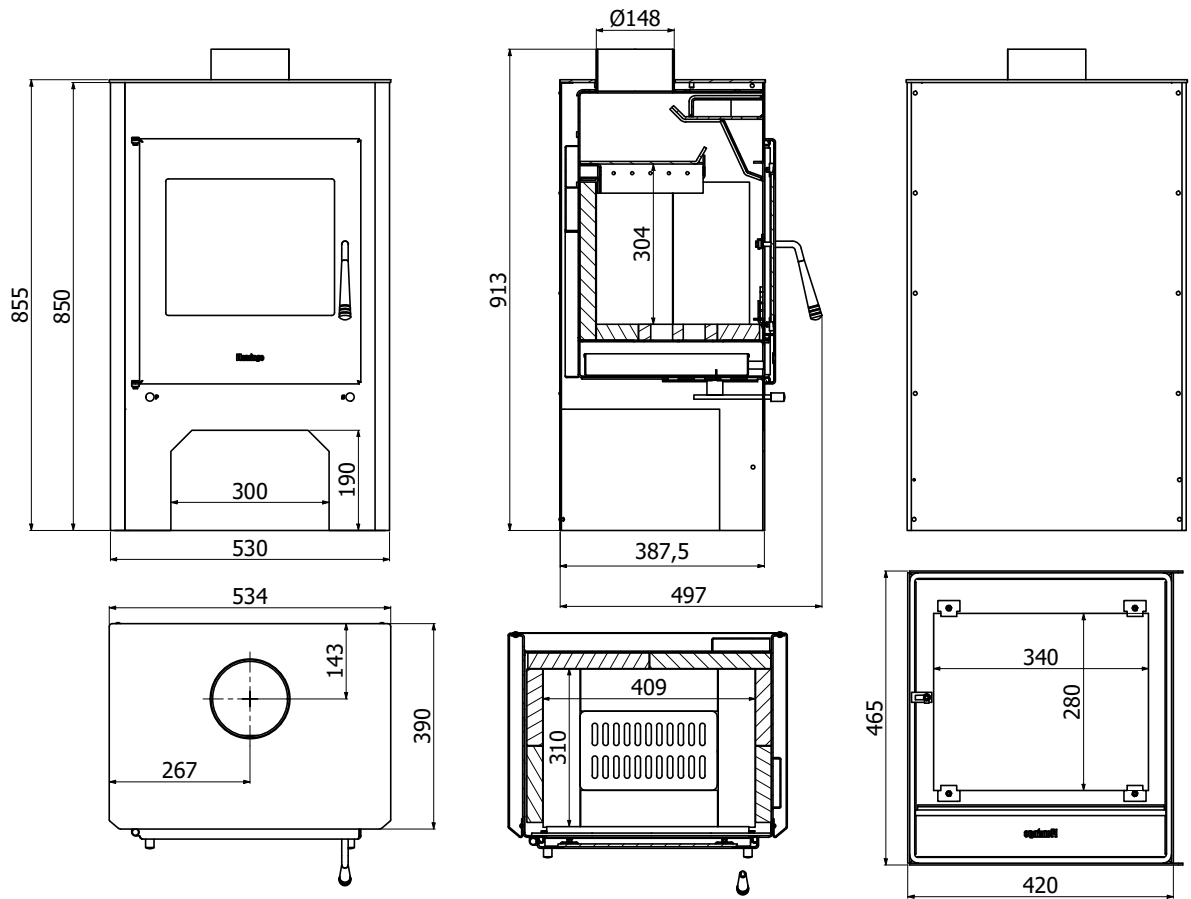
black
red
brown - velvet
cream
olive



grey

produced by HS Flamingo s.r.o.

www.hsflamingo.com







wood stove

meland



technical parameters

Nominal power kW	9
Power range kW	3 - 12
Stove efficiency %	80.72
Fuel consumption kg/hour	2.5
Operating draught Pa	12
Smoke flue diameter mm	150
Log length cm	35
Weight kg	118.5
CO emissions (at 13% O ₂) %	0.08
Average flue gas temperature °C	293
Heating value m ³	60 - 240
Warranty	5 years

- + Number one in the market in terms of price-to-quality
- + Primary, secondary and tertiary air supply
- + Secondary – perfect combustion
- + Glass wash – glass is always clean
- + Firebrick lined firebox
- + Ashtray

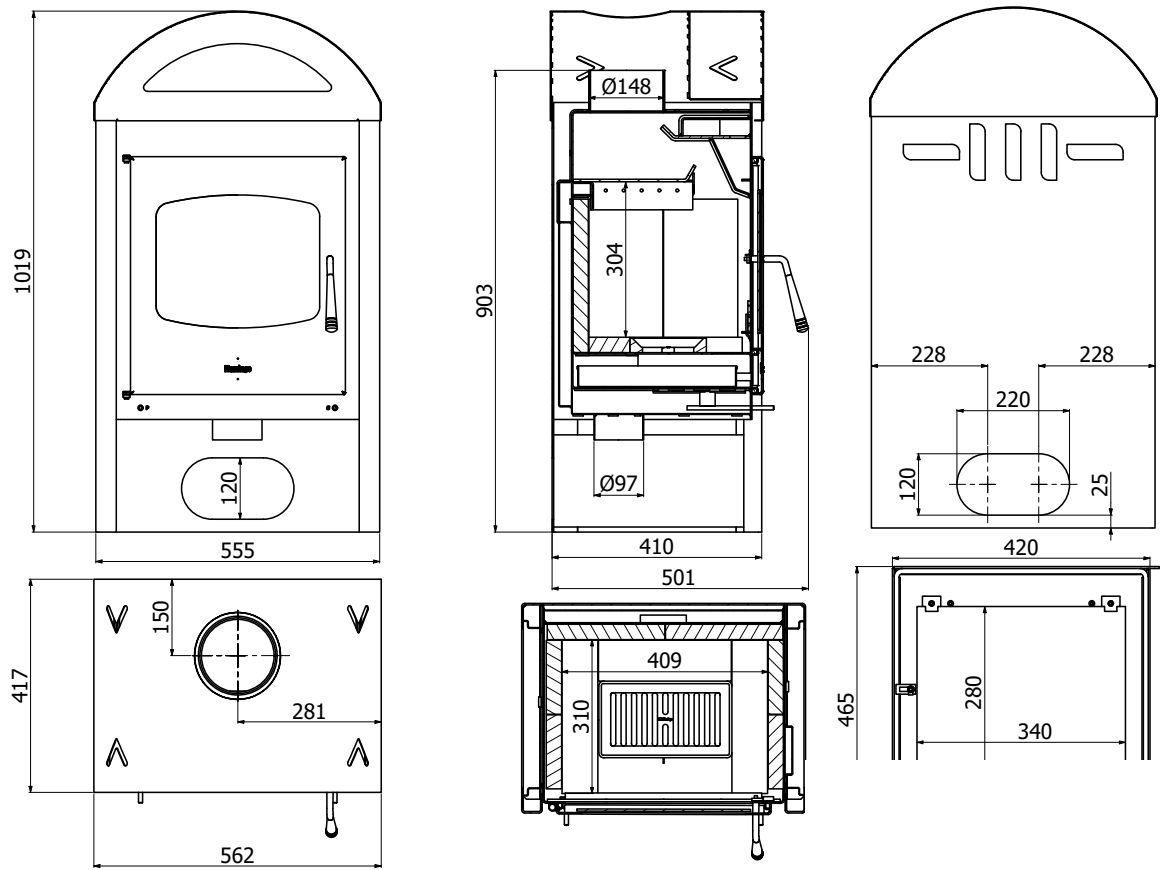
beige
white
maple
walnut



whitened oak tiles

produced by HS Flamingo s.r.o.

www.hsflamingo.com







wood stove

vega



technical parameters

Nominal power kW	9
Power range kW	3 - 12
Stove efficiency %	80.72
Fuel consumption kg/hour	2.5
Operating draught Pa	12
Smoke flue diameter mm	150
Log length cm	35
Weight kg	116
CO emissions (at 13% O ₂) %	0.08
Average flue gas temperature °C	293
Heating value m ³	60 - 240
Warranty	5 years

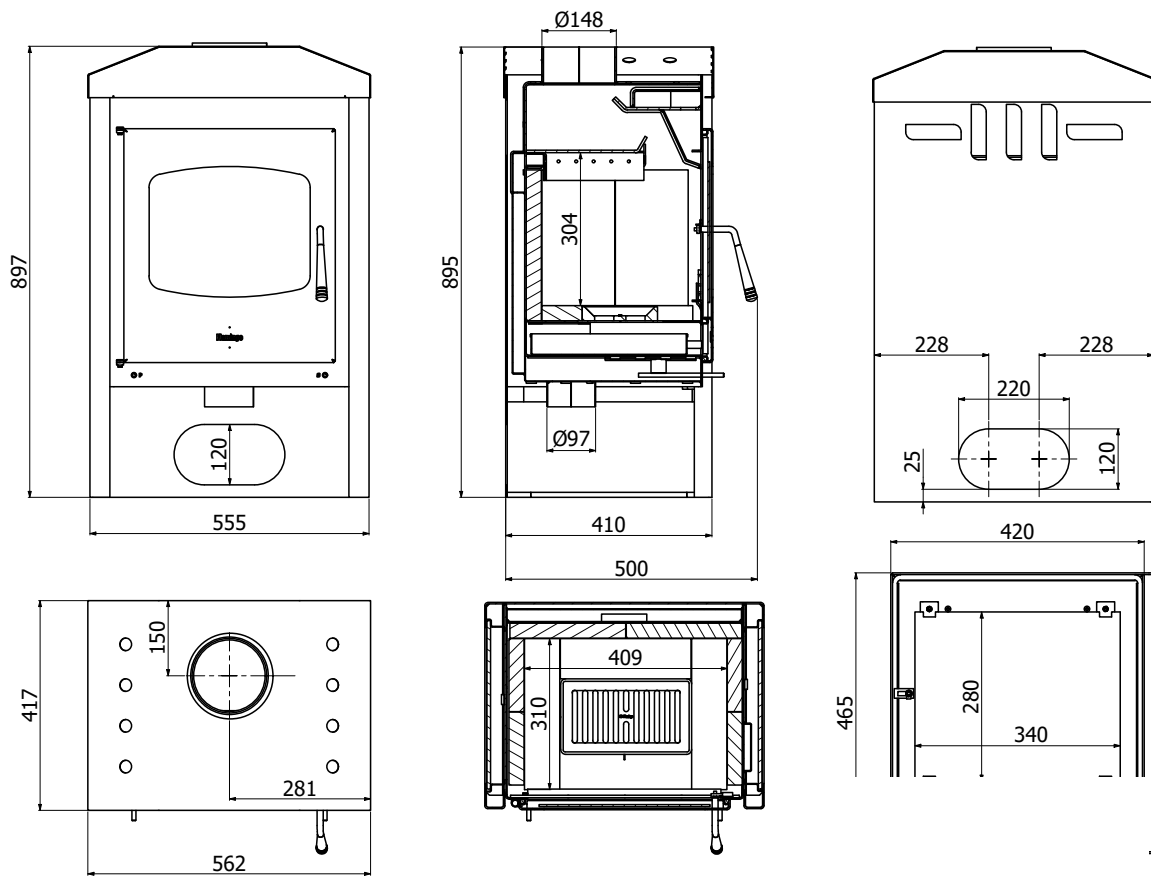
- + Number one in the market in terms of price-to-quality
- + Primary, secondary and tertiary air supply
- + Secondary – perfect combustion
- + Glass wash – glass is always clean
- + Firebrick lined firebox
- + Ashtray

white
walnut
whitened oak
maple



yellow tiles

produced by HS Flamingo s.r.o.







wood stove

stavanger

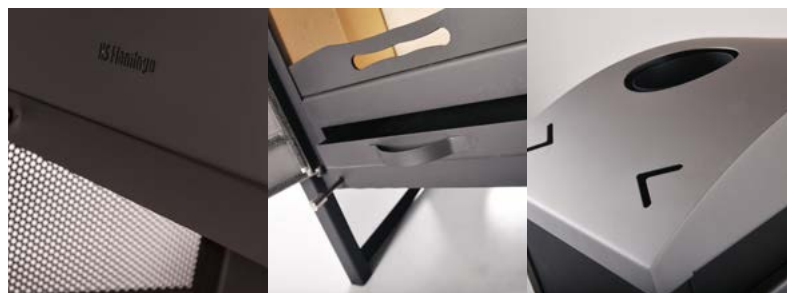


technical parameters

Nominal power kW	9
Power range kW	3 - 12
Stove efficiency %	80.72
Fuel consumption kg/hour	2.5
Operating draught Pa	12
Smoke flue diameter mm	150
Log length cm	35
Weight kg	111
CO emissions (at 13% O ₂) %	0.08
Average flue gas temperature °C	293
Heating value m ³	60 - 240
Warranty	5 years

- + Number one in the market in terms of price-to-quality
- + Primary, secondary and tertiary air supply
- + Secondary – perfect combustion
- + Glass wash – glass is always clean
- + Firebrick lined firebox
- + Ashtray

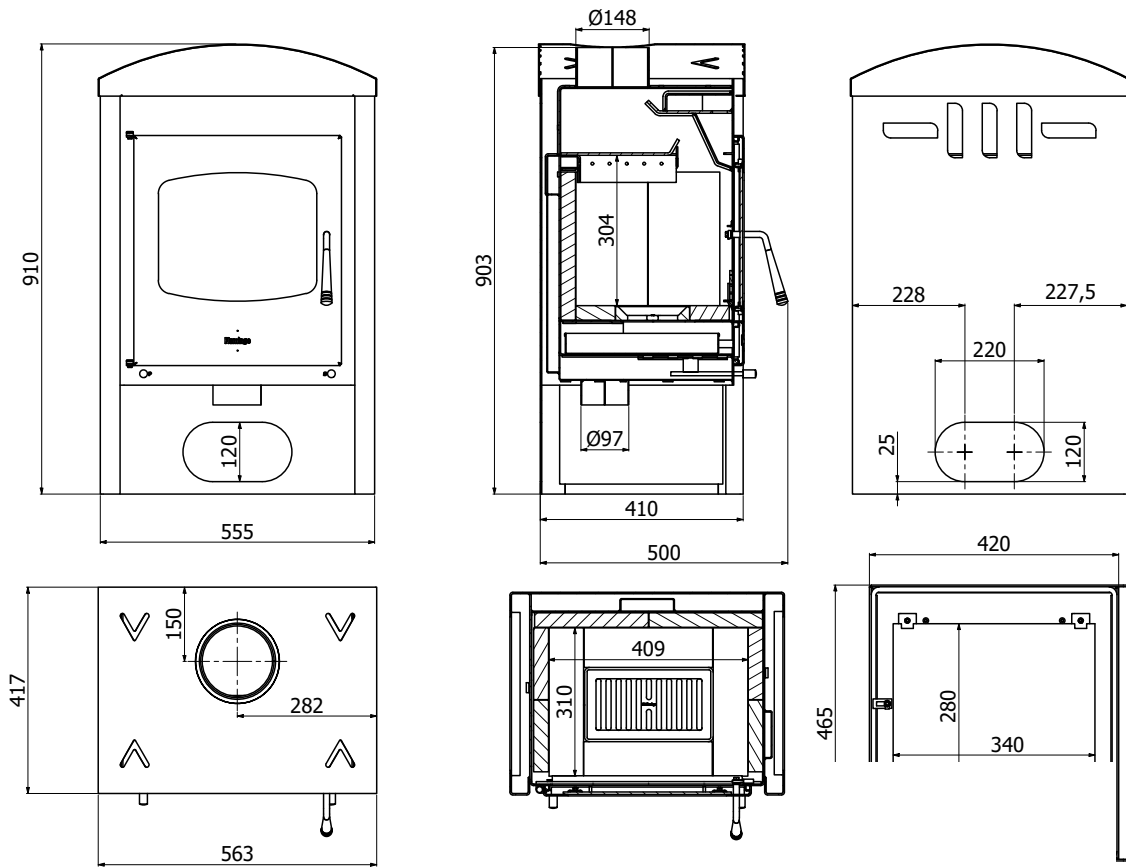
black

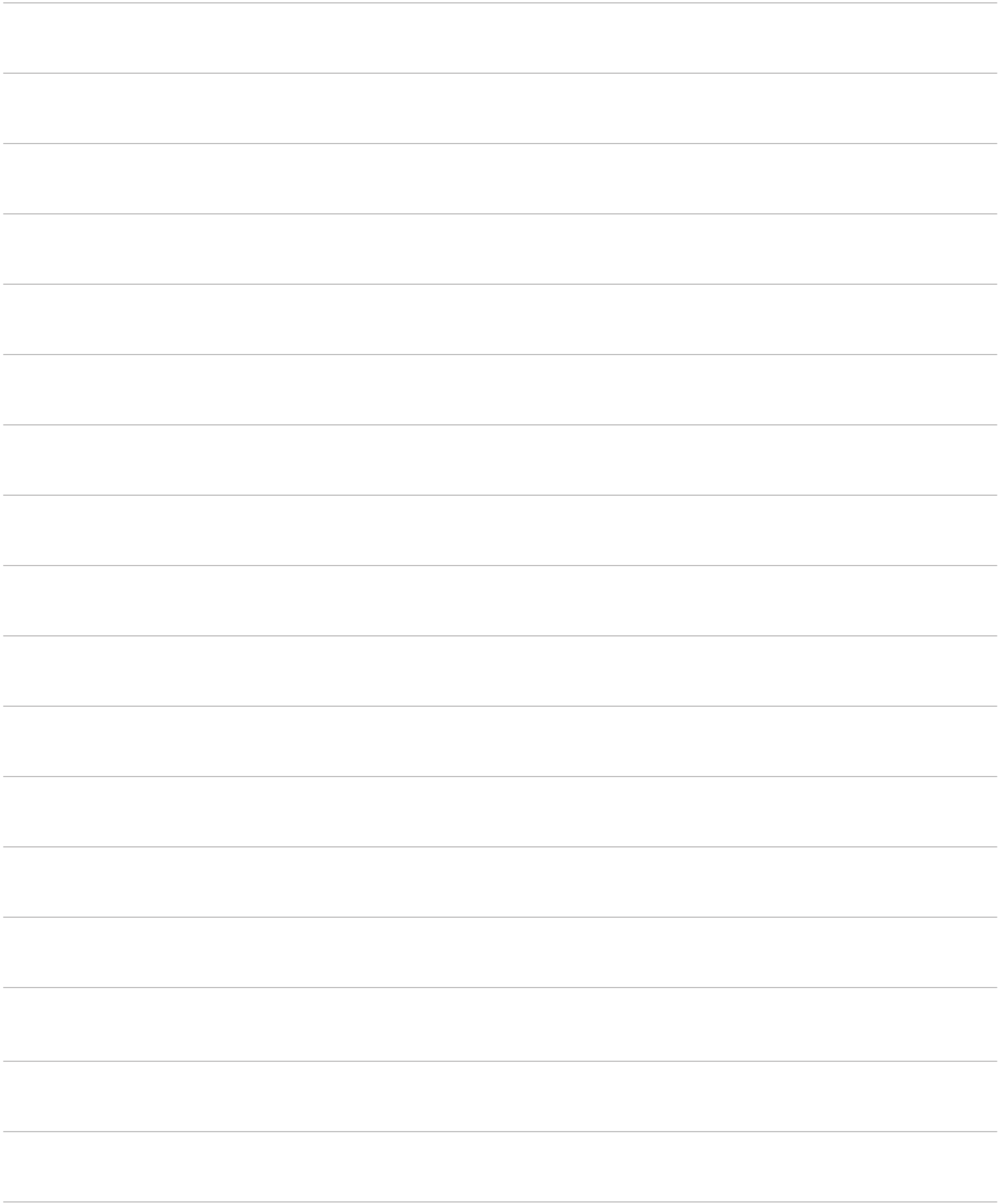


black - grey

produced by HS Flamingo s.r.o.

www.hsflamingo.com





full product range at www.hsflamingo.com

Vendor:



HS Flamingo s.r.o.
třída Osvobození 65, CZ - 550 01
Broumov, Czech Republic

tel.: +420 491 422 647, fax: +420 491 521 140
email: export@hsflamingo.cz

www.hsflamingo.com

Copyright © 2019 HS Flamingo s.r.o
072019