

www.hsflamingo.com



Masterflamme Convection Wood Stoves

Perfect combustion with unique design



choose your colour ...

olive

brown - velvet

grey



black

cream



Perfect combustion

Ensures an intelligent delivery of primary, secondary and tertiary air into the firebox.

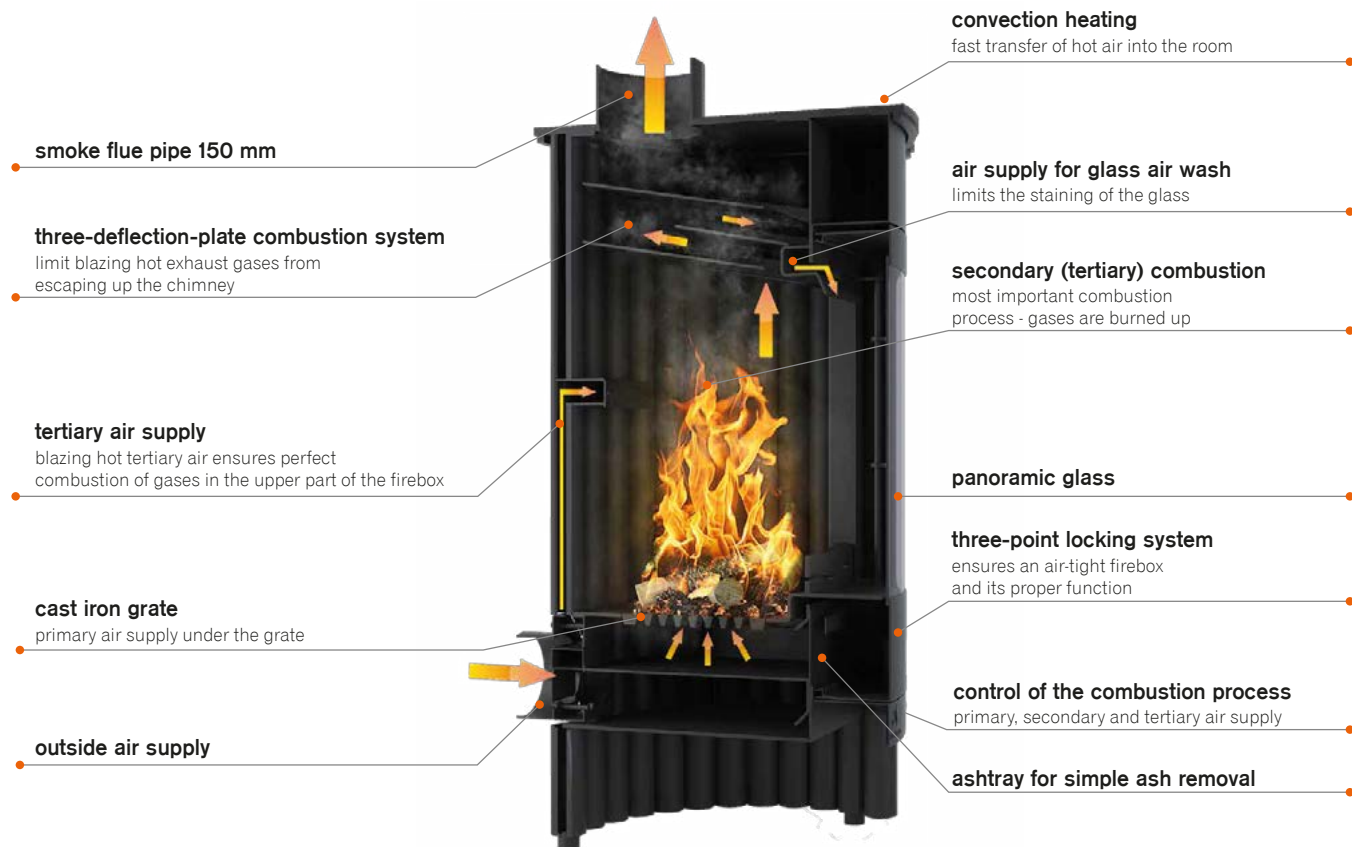


Double-walled convection wood stove

Cold air is drawn into the tubes at the bottom the stove, it is heated up rapidly as it travels upwards to be blown out into the room. with a inlet adapter for this air delivery as standard.



Technical cross section Masterflamme ®



8 hour burn time



heat output of 3 – 21 kW



heating value of 60 – 420 m³



Clean Burning



log length of 420 – 520 mm

Fan effect

heat within minutes

The Masterflamme wood stove can be used for heating residential as well as recreational buildings. Thanks to its rapid heating ability and the size of its firebox it is also very popular in workshops, warehouses and other industrial areas.

The Masterflamme wood stoves has, thanks to its unique design, an exceptional ability to quickly create heat and to distribute it continuously and evenly. Cold air is drawn in from underneath into the tubes which form the combustion chamber itself. This directly heats the air that is blown back into the room. Thanks to this fan effect, the Masterflamme wood stoves can deliver lots of heat in a very short time and distribute it evenly into the heated area.



wood stove

piccolo I



Clean Burning



black



brown - velvet



cream



grey



- + Primary, secondary and tertiary air supply
- + Secondary - perfect combustion
- + Glass wash - glass is always clean
- + Option to connect air from the outside
- + Ashtray
- + Extra long life gasket cord

technical parameters

Nominal power kW	7
Nominal power range kW	3 - 11
Stove efficiency %	79
Fuel consumption kg/hod.	2
Operating draught Pa	12
Smoke flue diameter mm	150
Log lenght cm	42
Heating value m ³	60 - 220
Weight kg	128
CO emissions (at 13% O ₂) %	0.091
Average flue gas temperature °C	278
Warranty	5 years

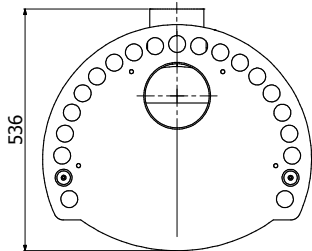
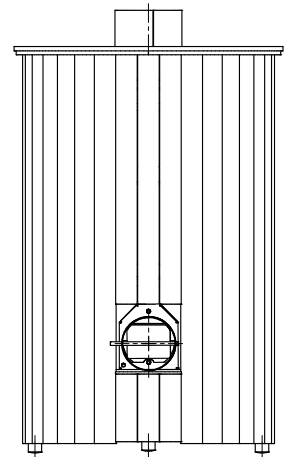
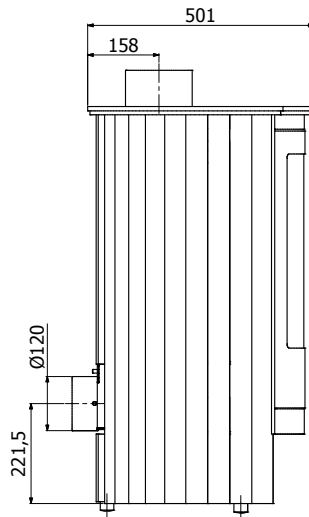
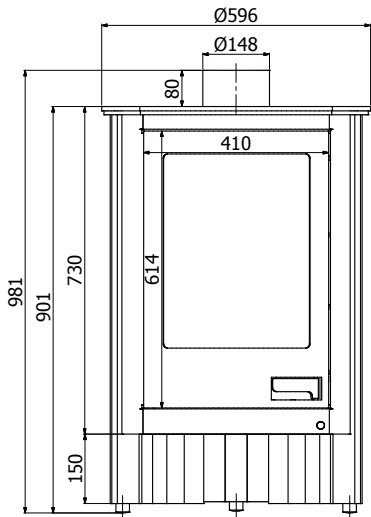


Hotplate

olive

produced by HS Flamingo s.r.o.

www.hsflamingo.com







wood stove

piccolo II



Clean Burning



black



brown - velvet



cream



olive



- + Primary, secondary and tertiary air supply
- + Secondary - perfect combustion
- + Glass wash - glass is always clean
- + Option to connect air from the outside
- + Ashtray
- + Extra long life gasket cord

technical parameters

Nominal power kW	7
Nominal power range kW	3 - 11
Stove efficiency %	79
Fuel consumption kg/hod.	2
Operating draught Pa	12
Smoke flue diameter mm	150
Log lenght cm	42
Heating value m ³	60 - 220
Weight kg	118
CO emissions (at 13% O ₂) %	0.091
Average flue gas temperature °C	278
Warranty	5 years

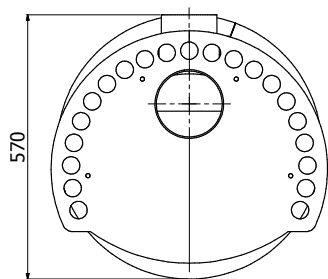
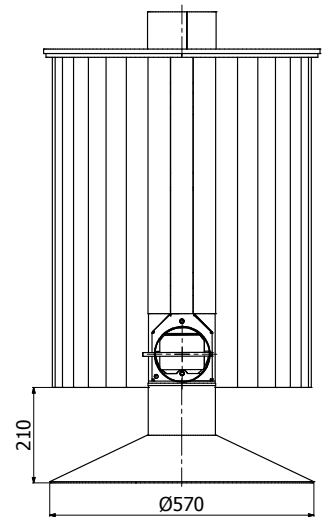
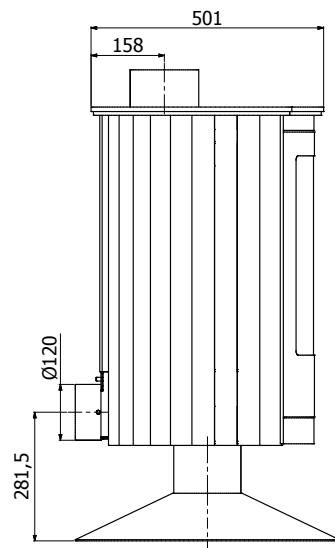
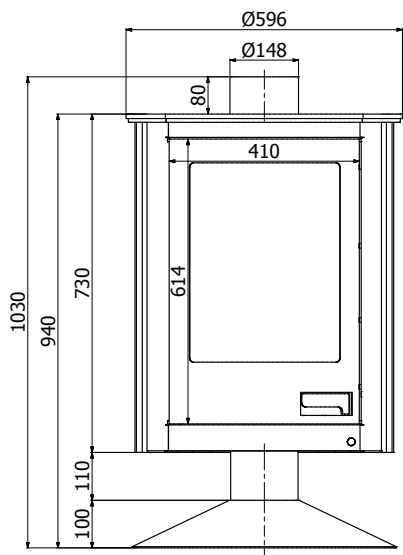


Hotplate

grey

produced by HS Flamingo s.r.o.

www.hsflamingo.com







wood stove

medie I



Clean Burning



brown - velvet



cream



olive



grey



- + Primary, secondary and tertiary air supply
- + Secondary - perfect combustion
- + Glass wash - glass is always clean
- + Option to connect air from the outside
- + Ashtray
- + Extra long life gasket cord

technical parameters

Nominal power kW	12
Nominal power range kW	8 - 16
Stove efficiency %	79
Fuel consumption kg/hod.	3.5
Operating draught Pa	12
Smoke flue diameter mm	150
Log lenght cm	46
Heating value m ³	160 - 320
Weight kg	152
CO emissions (at 13% O ₂) %	0.093
Average flue gas temperature °C	299
Warranty	5 years

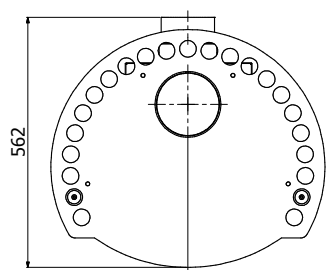
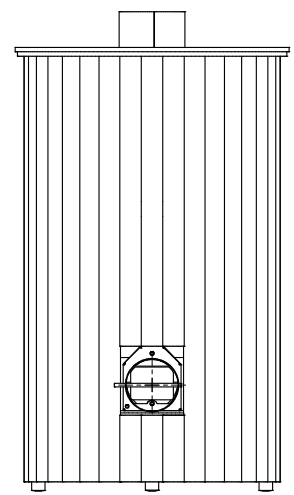
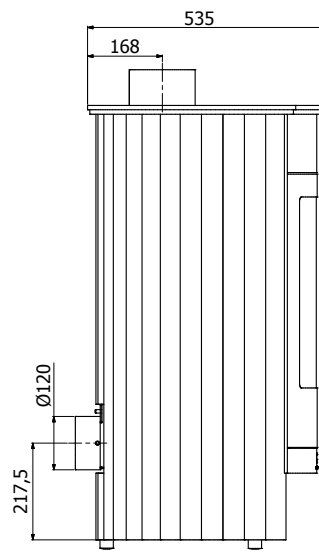
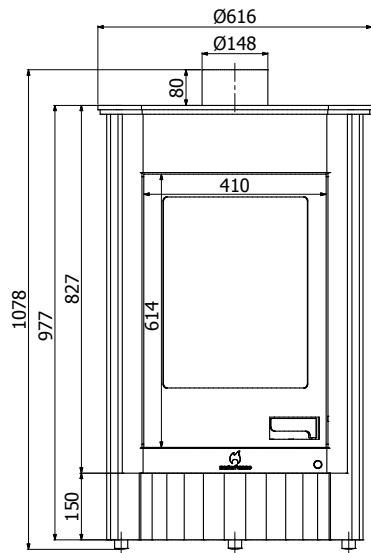


Hotplate

black

produced by HS Flamingo s.r.o.

www.hsflamingo.com







wood stove

medie II



Clean Burning



black



cream



olive



grey



- + Primary, secondary and tertiary air supply
- + Secondary - perfect combustion
- + Glass wash - glass is always clean
- + Option to connect air from the outside
- + Ashtray
- + Extra long life gasket cord



Hotplate

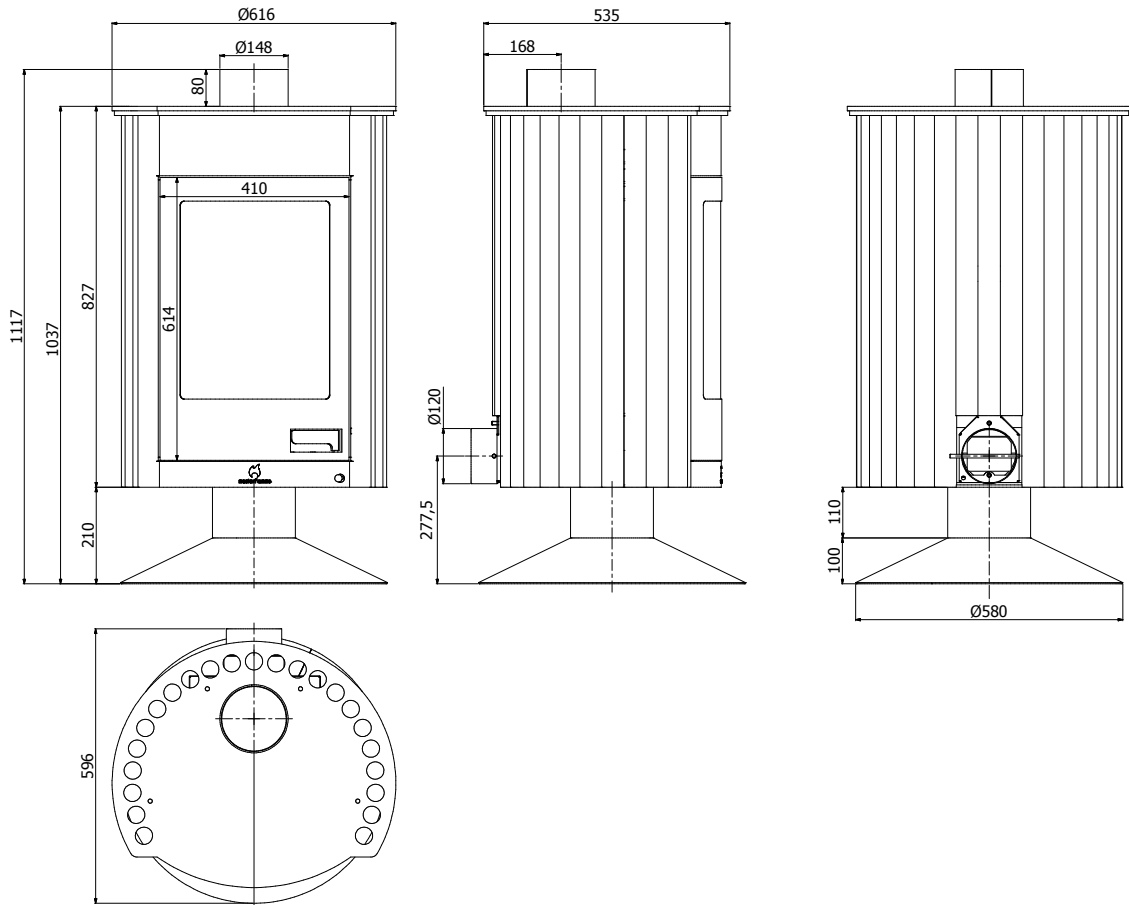
technical parameters

Nominal power kW	12
Nominal power range kW	8 - 16
Stove efficiency %	79
Fuel consumption kg/hod.	3.5
Operating draught Pa	12
Smoke flue diameter mm	150
Log lenght cm	46
Heating value m ³	160 - 320
Weight kg	141
CO emissions (at 13% O ₂) %	0.093
Average flue gas temperature °C	299
Warranty	5 years

brown - velvet

produced by HS Flamingo s.r.o.

www.hsflamingo.com







wood stove

grande I



Clean Burning



brown - velvet



cream



olive



grey



- + Primary, secondary and tertiary air supply
- + Secondary - perfect combustion
- + Glass wash - glass is always clean
- + Option to connect air from the outside
- + Ashtray
- + Extra long life gasket cord

technical parameters

Nominal power kW	17
Nominal power range kW	13 - 21
Stove efficiency %	78
Fuel consumption kg/hod.	5
Operating draught Pa	12
Smoke flue diameter mm	150
Log lenght cm	52
Heating value m ³	260 - 420
Weight kg	193
CO emissions (at 13% O ₂) %	0.095
Average flue gas temperature °C	320
Warranty	5 years

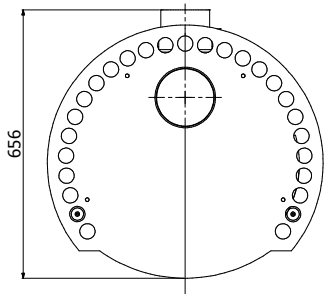
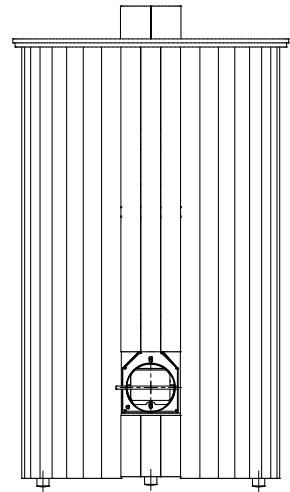
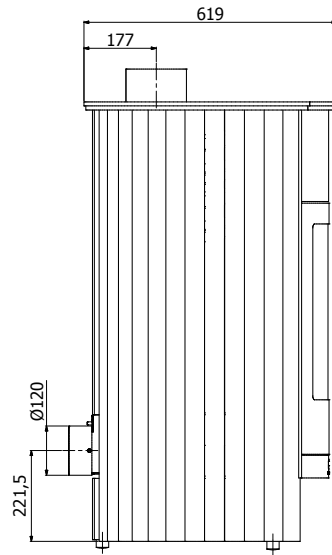
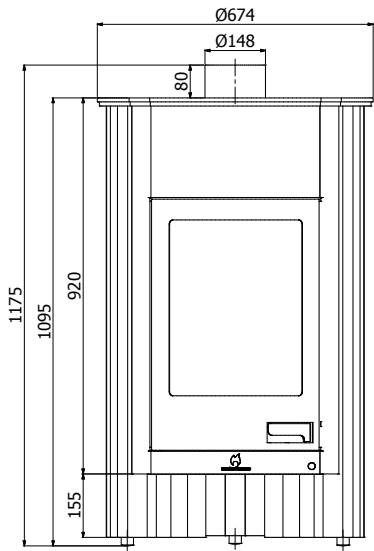


Hotplate

black

produced by HS Flamingo s.r.o.

www.hsflamingo.com







wood stove

grande II



Clean Burning



black



cream



olive



grey



- + Primary, secondary and tertiary air supply
- + Secondary - perfect combustion
- + Glass wash - glass is always clean
- + Option to connect air from the outside
- + Ashtray
- + Extra long life gasket cord

technical parameters

Nominal power kW	17
Nominal power range kW	13 - 21
Stove efficiency %	78
Fuel consumption kg/hod.	5
Operating draught Pa	12
Smoke flue diameter mm	150
Log lenght cm	52
Heating value m ³	260 - 420
Weight kg	183
CO emissions (at 13% O ₂) %	0.095
Average flue gas temperature °C	320
Warranty	5 years

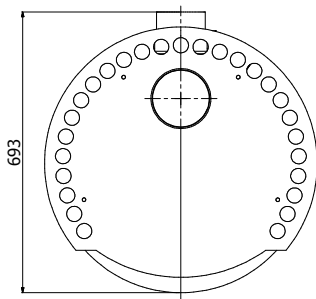
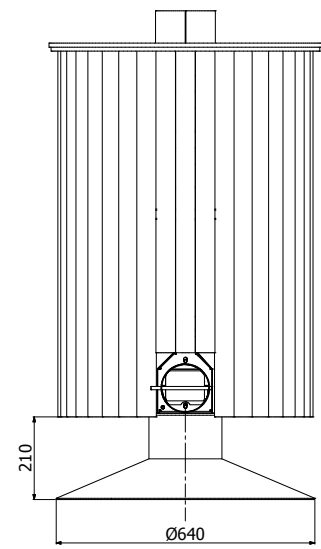
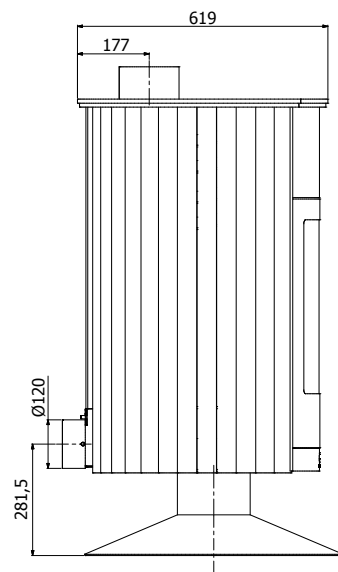
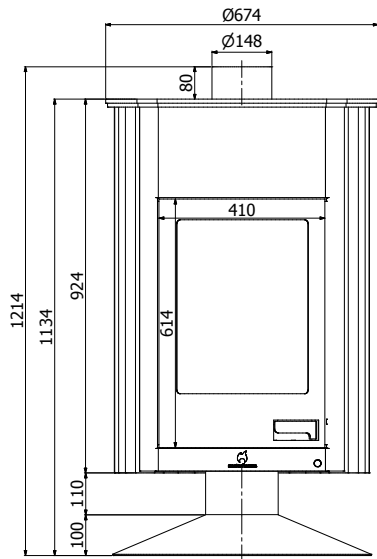


Hotplate

brown - velvet

produced by HS Flamingo s.r.o.

www.hsflamingo.com







full product range at www.hsflamingo.com

Vendor:



HS Flamingo s.r.o.
třída Osvobození 65, CZ - 550 01
Broumov, Czech Republic

tel.: +420 491 422 647, fax: +420 491 521 140
e-mail: export@hsflamingo.cz

www.hsflamingo.com

Copyright © 2019 HS Flamingo s.r.o.
07/2019